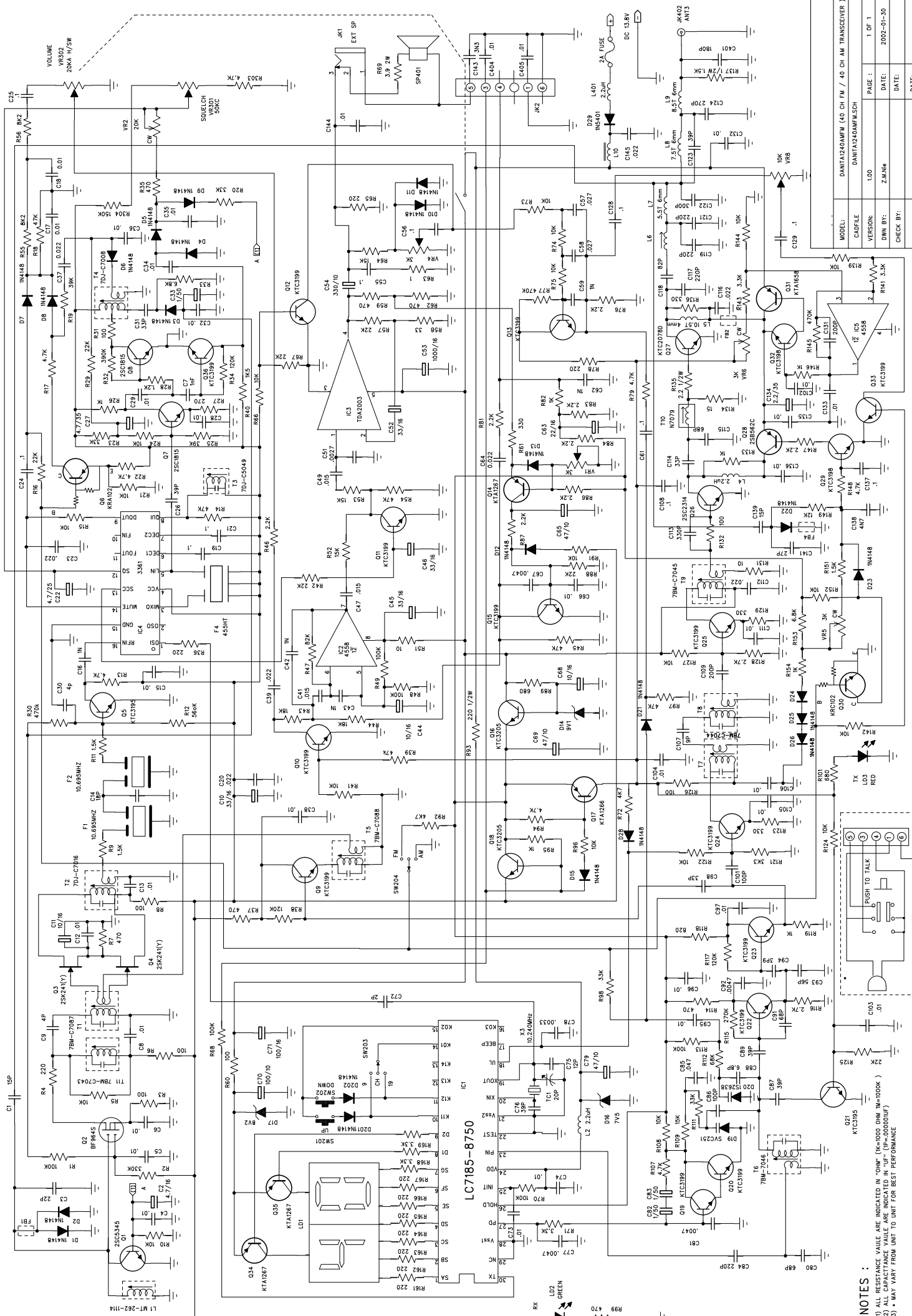
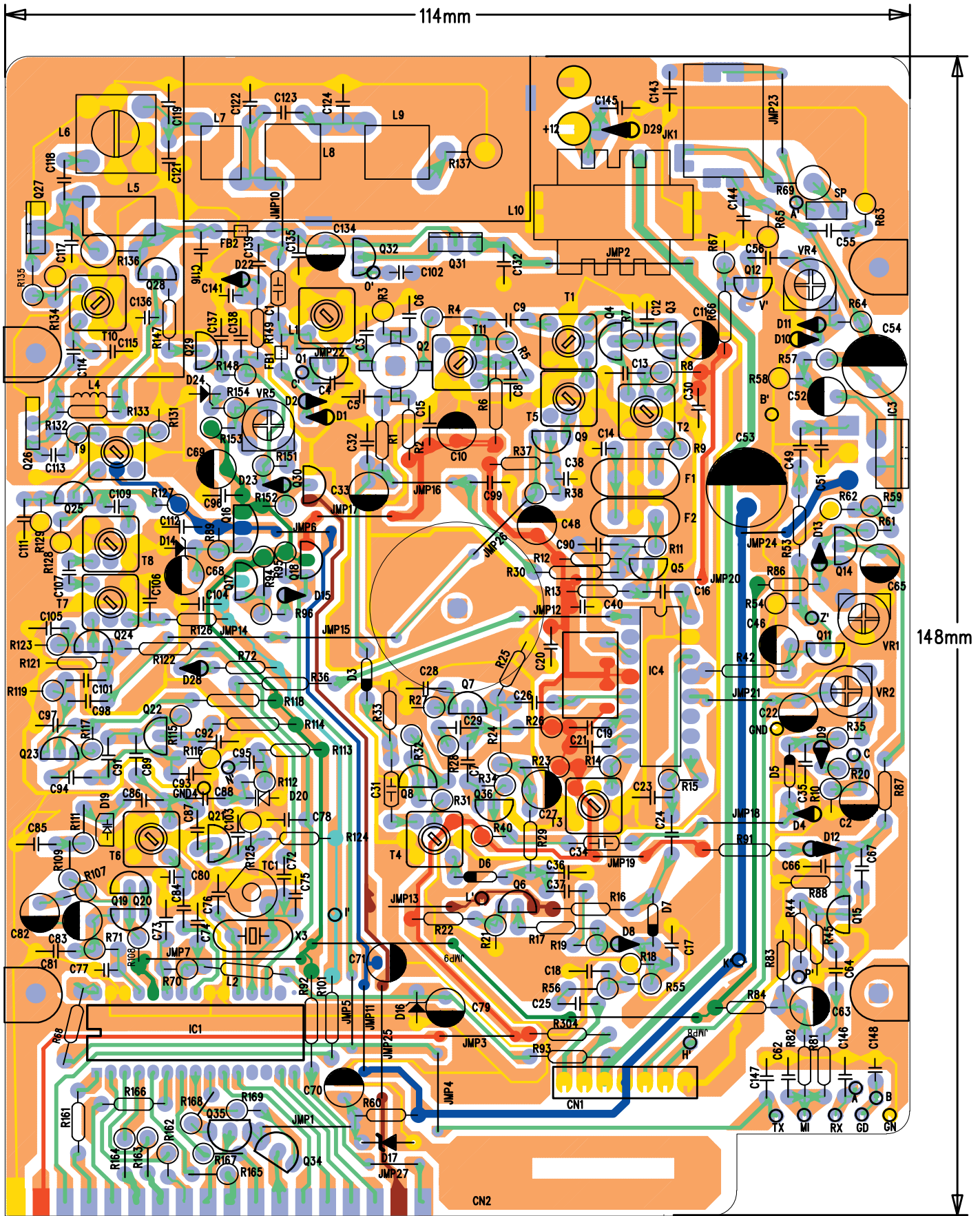


# Danita1240 (40CH FM/40CH AM CB TRANSCEIVER) SCHEMATIC DIAGRAM

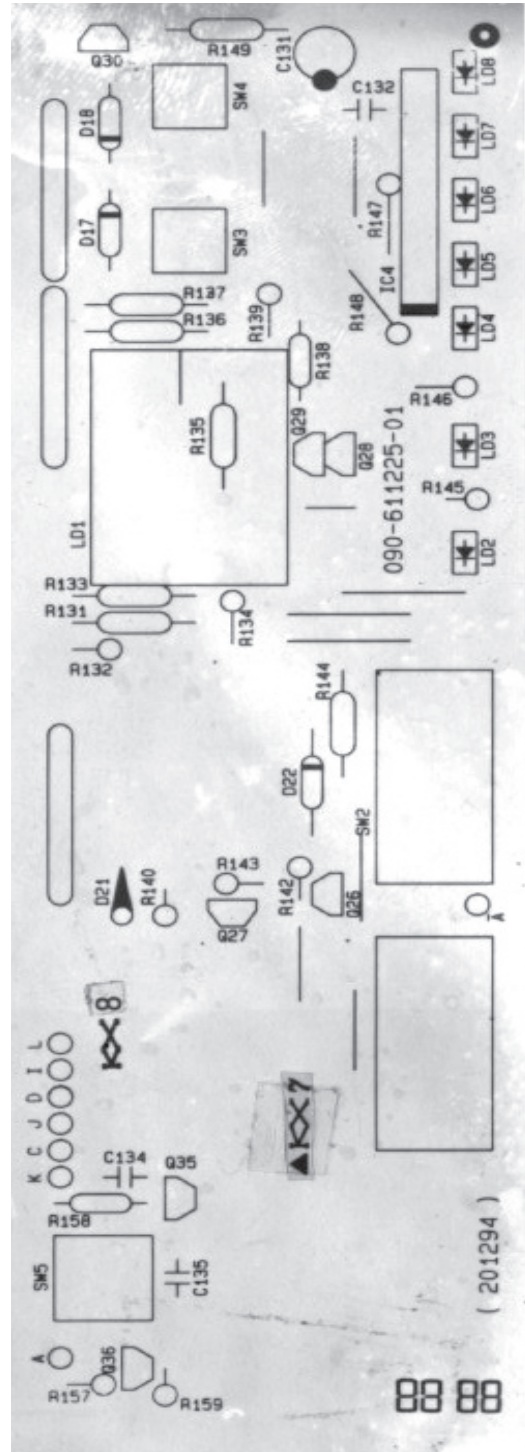
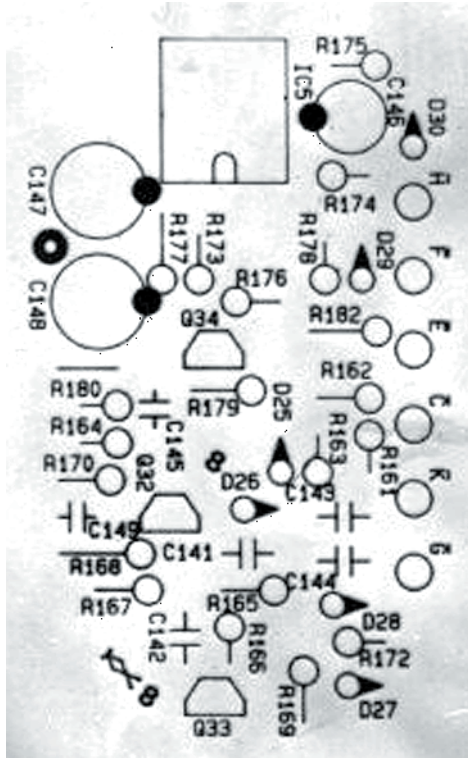


**NOTES :**  
 1) ALL RESISTANCE VALUE ARE INDICATED IN "OHM" (K=1000 OHM (M=1000K))  
 2) ALL CAPACITANCE VALUE ARE INDICATED IN "UF" (PF=0.0001UF)  
 3) \* MAY VARY FROM UNIT TO UNIT FOR BEST PERFORMANCE

MODEL:	DANITA1240AM/FM (40 CH FM / 40 CH AM TRANSCEIVER )
CAPFILE:	DANITA1240AM.FSCH
VERSION:	1.00
DWN BY:	Z.M.Mine
DATE:	2002-01-30
CHECK BY:	
APPID BY:	



danita 1240AM



danita 1240AM