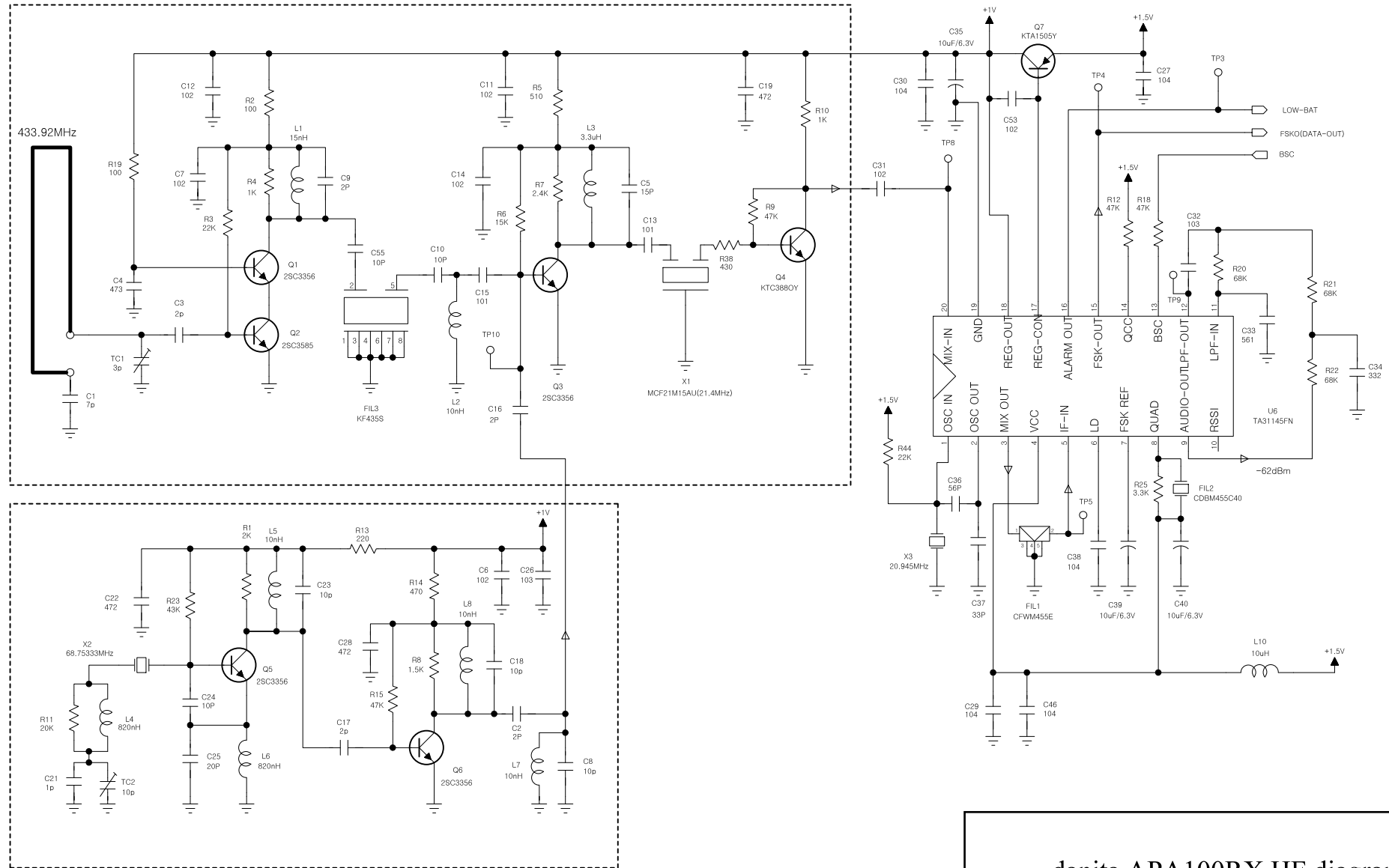


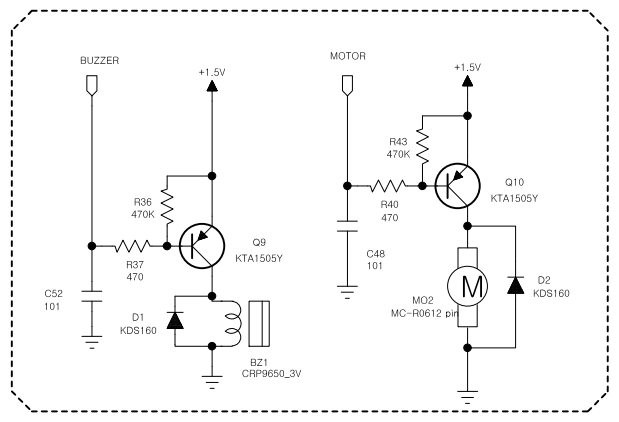
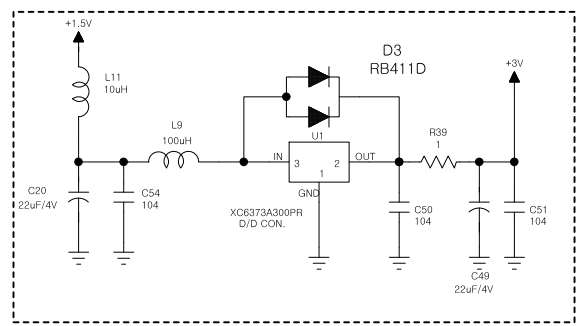
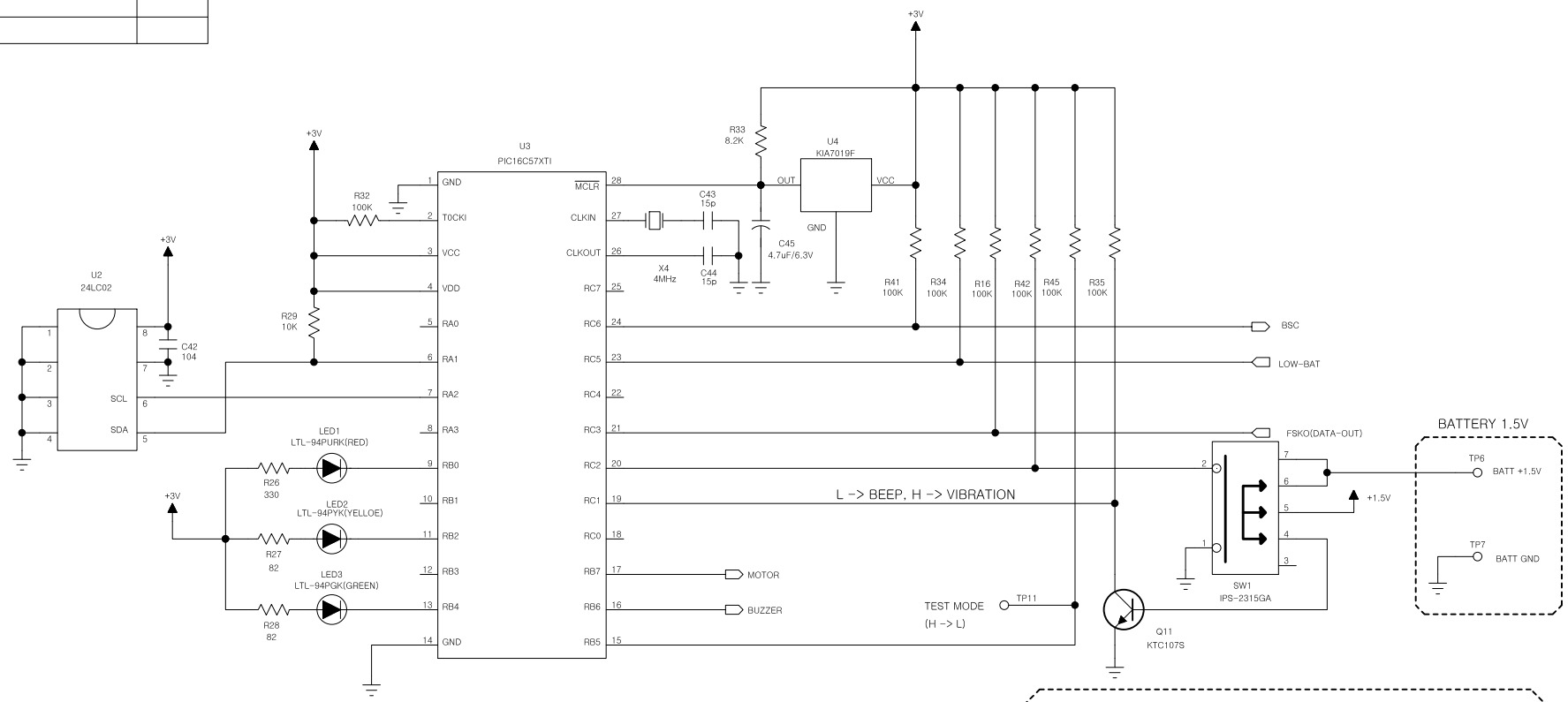
REV.NO.	CONTENTS	DATE

1.C3 3P-->2P (ERP 확인) ....C21 3P-->1P(ERP확인)

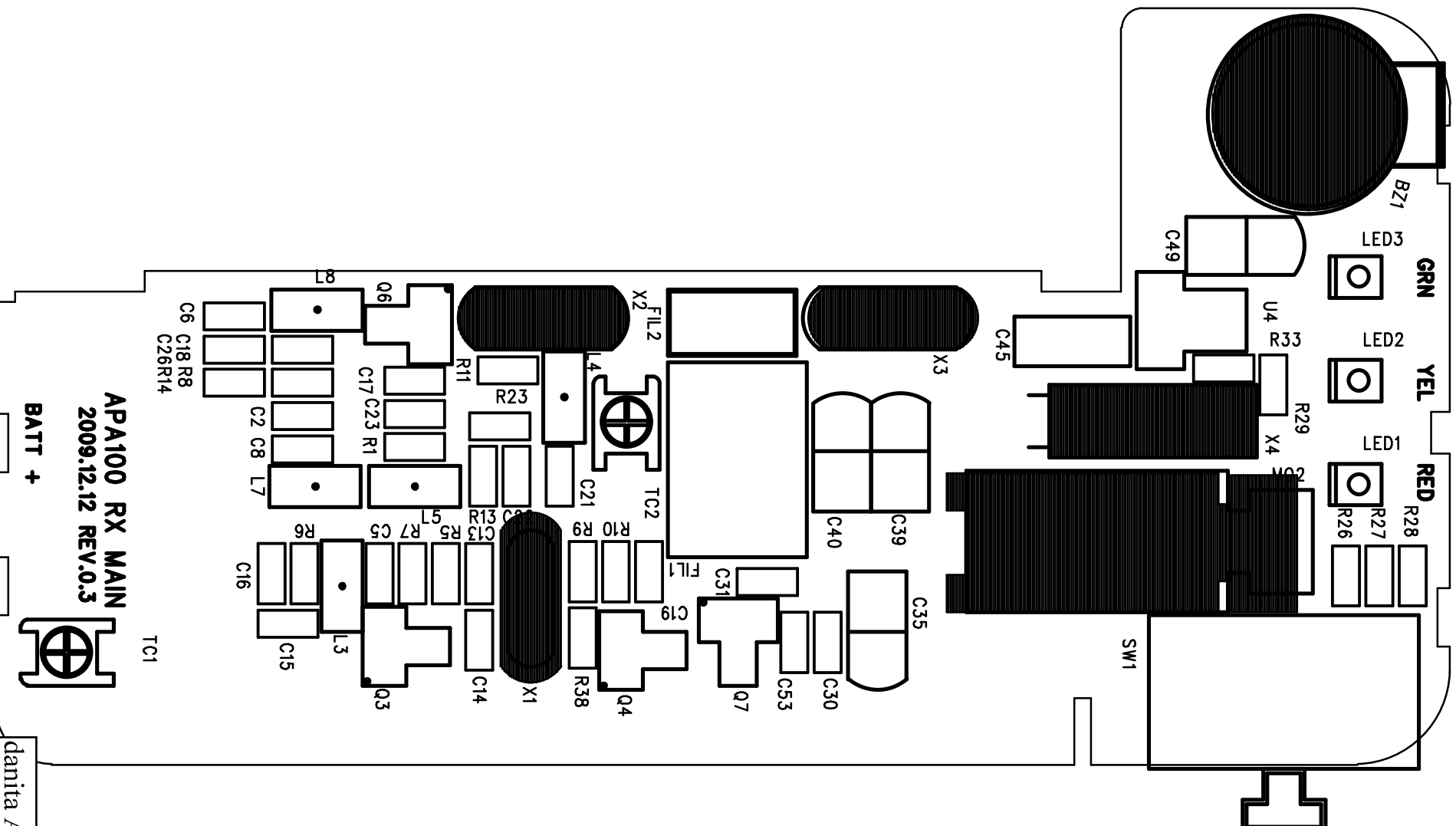


danita APA100RX HF diagram

REV.NO.	CONTENTS	DATE



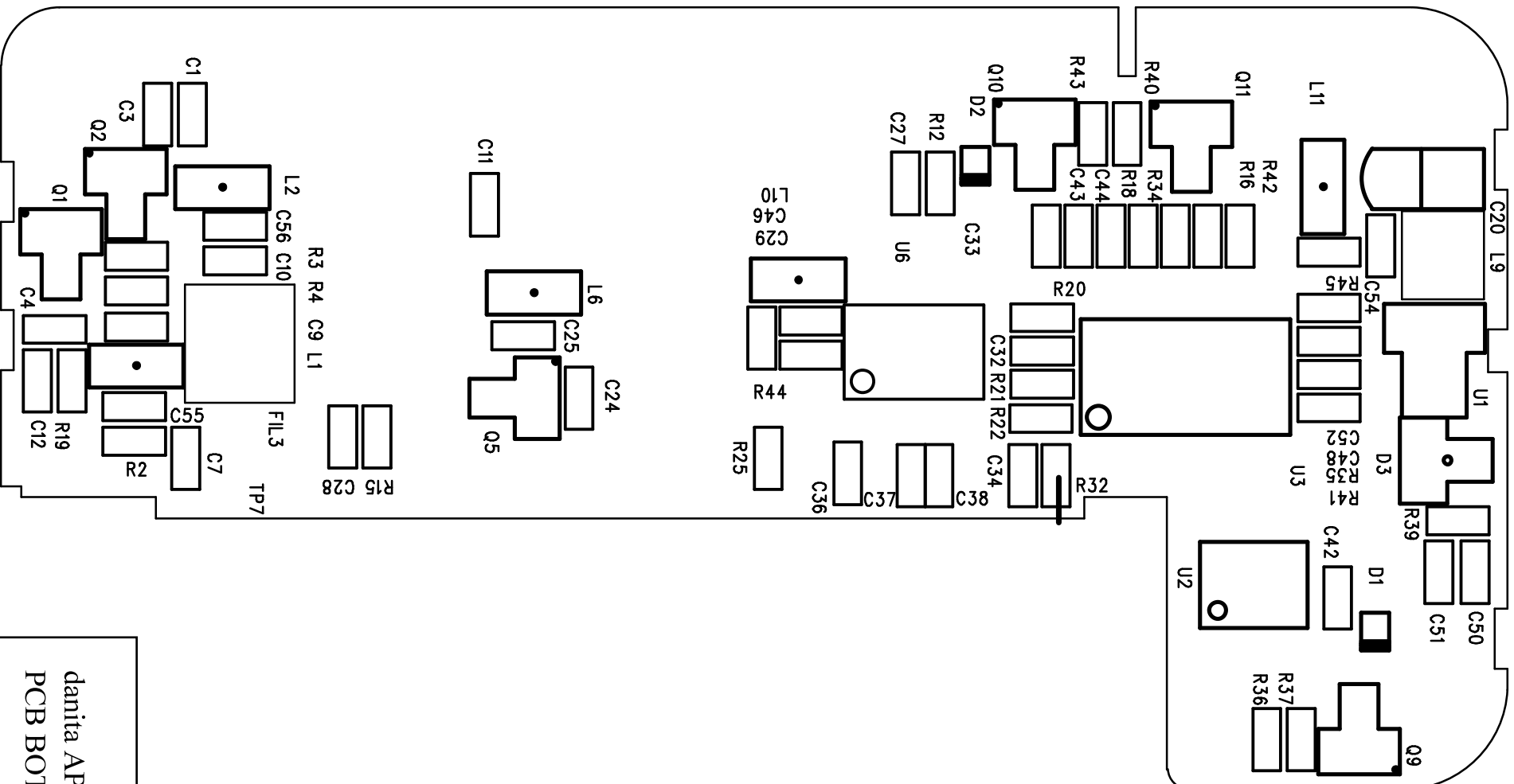
danita APA100RX AF diagram



**APA100 RX MAIN**  
**2009.12.12 REV.0.3**

**BATT +**

danita APA100RX  
 PCB TOP layout



danita AP A100RX  
PCB BOT layout